

# LIVING DISTRICT

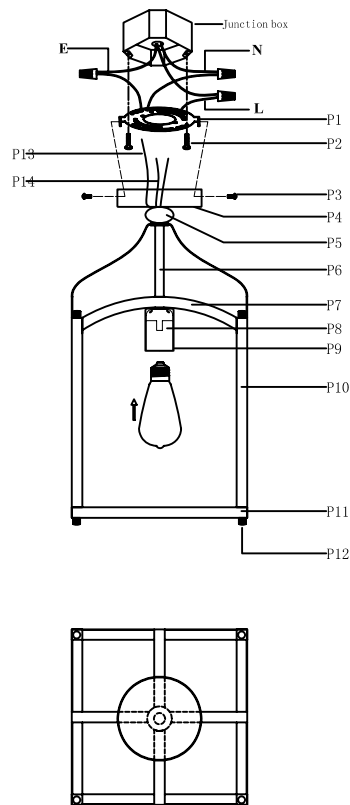
Collection: Janet

Installation manual for:

LD7069F10BK/BR L10"W10" H18.4" L1

## Installation instructions:

1. Black wire from ceiling(junction box) attaches to "L"wire from the fixture.
  2. White wire from ceiling(junction box) attaches to "N"wire from the fixture.
  3. "E" wire from the fixture is attached to the mounting bracket and an additional "E" wire from the mounting bracket must be secured to the junction box.
  4. Secure mounting bracket to the junction box.
  5. Insert the mounting bracket screw(P2) into the mounting bracket (P1)
  6. Locking 3 pcs lamp frame(P10)、(P7)、(P11) by nut(P12)
  7. Use the screw(P3) to lock the lamp body to the mounting bracket (P1) on the ceiling.
  8. Install E26 light source.(Bulbs not supplied)
- The end!



Part	Picture	Description	Qty	Check list
P1		mounting bracket Φ4.53"*H0.59"	1	
P2		Mounting bracket screw	2	
P3		Screw	2	
P4		Canopy D4.7"*H1"	1	
P5		Flat ball Φ1.57"*H0.91"	1	
P6		Rod L4.72"*Φ0.49"	1	
P7		Lamp frame L9.84"*W9.84"*H6"	1	
P8		E26 holder	1	
P9		Socket cup Φ1.57"*H2.48"	1	
P10		frame L11"	4	
P11		Frame L9.84"*W9.84"*H0.59"	1	
P12		Nut Φ0.39"*H0.39"	8	
P13		UL18#Ground wire, L9.84"	1	
P14		UL18#, L6"	1	

"L" = Hot wire

"N" = Neutral wire

"E" = Ground wire